

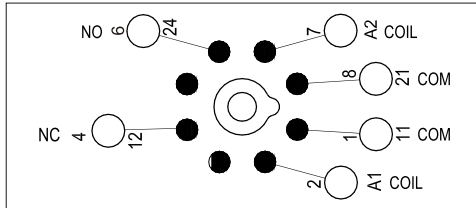


# S8LD-X

Only  
**38 mm**  
WIDE

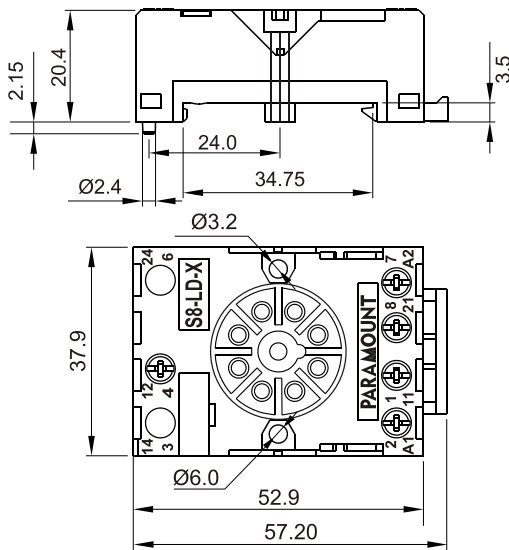
**Socket DIN Rail or Panel Mountable  
for P3 1NO + 1NC Relay**

## Wiring diagram



## Dimensions

in mm



## Accessories



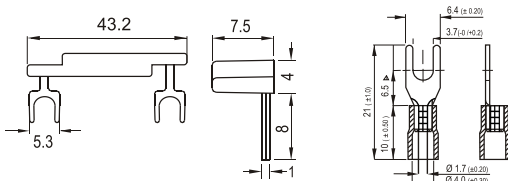
**S8LD-B1**



**C Terminal**

## Dimensions

in mm.



**S8LD-B1**  
1 Way Bridge for Coil

**Fork / C type crimped Terminal**  
used for wire connection

## Specifications

Poles 1 NO + 1NC Contact (8pins)  
Nominal load : 10A / 250V

**Insulation:** Di-electric strength, 1minute  
Between contact and coil 2.5 KV  
Between all terminals and DIN Rail 2.5 KV  
Between adjacent terminals 2.5 KV

Max. screw torque 0.5 Nm  
Screw dimensions M3, Pozi  
Weight Approx. 47 gms.

## Other Aspects

DIN Rail / Panel Mountable  
EN / DIN Sequential Numbering according to  
EN 60947 & IEC 61810  
Integrated Relay Hold Down Clip  
Removable White Marking Label

## Accessories

S8LD-B1 - 1 Way Bridge

Fork / C - Terminal for wire connection

## Approvals

